



see what Delta can do™

106735



X00106735

CORNER SHOWER BASE BASE PARA DUCHAS ESQUINA


Model Number: _____
Número del modelo
Numéro de modèle

Register Online
Regístrese en línea
S'enregistrer en ligne
www.deltafaucet.com/registerme

To reference replacement parts and access additional technical documents and product info, visit www.deltafaucet.com

Para referencia sobre las piezas de repuesto y acceder a documentos técnicos adicionales e información del producto, visite www.deltafaucet.com

Pour obtenir la référence des pièces de rechange ainsi que pour avoir accès à d'autres documents techniques et renseignements sur le produit, allez à www.deltafaucet.com

 1-800-355-2721
consumercare@deltafaucet.com

Read all instructions prior to installation.

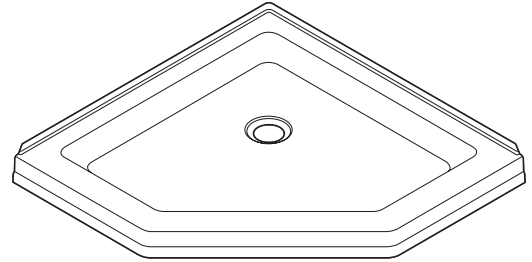
⚠ CAUTION
Failure to read these instructions prior to installation may result in personal injury, property damage, or product failure. Manufacturer assumes no responsibility for product failure due to improper installation.

Lea todas las instrucciones antes de hacer la instalación.

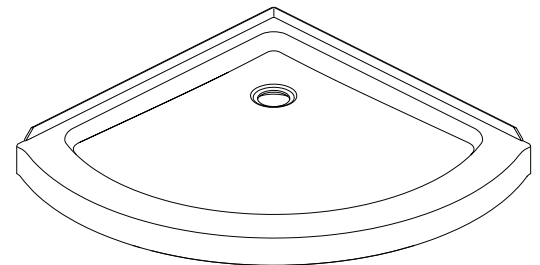
⚠ ADVERTENCIA
El no leer estas instrucciones de instalación puede resultar en lesiones personales, daños a la propiedad, o falla en el funcionamiento del producto. El fabricante no asume ninguna responsabilidad por la falla del producto debido a una instalación incorrecta.

⚠ CAUTION
Use work gloves when handling wall panels, shower bases and bathtubs as edges can be sharp.

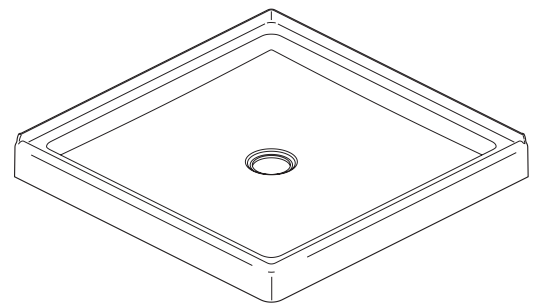
⚠ ADVERTENCIA
Utilice guantes al manipular paneles de pared, bases de ducha y bañeras, ya que los bordes pueden ser afilados.



422062



B711615-3838-WH
B711917-3838-WH



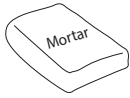
B111306-3232-WH

TOOLS AND MATERIALS REQUIRED

- 2 x 4 lumber for additional wall studs

HERRAMIENTAS Y MATERIALES NECESARIOS

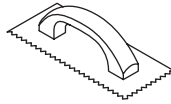
- Madera para montantes de pared si instala el juego para pared adicionales; consulte las instrucciones de instalación del juego para pared



Mortar
Mortero



Work Gloves
Guantes de trabajo



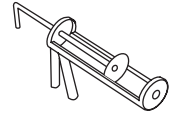
1/4" Square Notched Trowel
Llana dentada cuadrada de 1/4"



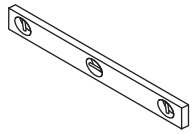
Drill
Taladro



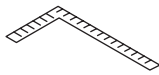
Safety Glasses
Antiparras de seguridad



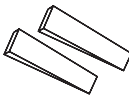
Caulk Gun
Pistola para sellar



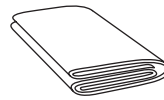
Level
Nivel



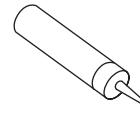
Square
Escuadra



Shims
Cuñas



Drop Cloth
Lona protectora



Sealant
Sellador



Adhesive
Adhésif



Extension Bit Holder
Sujetador de extensión para brocas



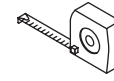
Drill Bit 3/16" (5 mm)
Broca para taladro de 0,5 cm (3/16")



Screws #8 x 1 1/2" (zinc or stainless; panhead or roundhead)
Tornillos #8 x 3.81 cm (de zinc o acero inoxidable; cilíndricos o de cabeza redonda)



Driver Bit (for use with extension bit holder)
Broca impulsadota (para uso con sujetador de extensión para brocas)



Tape Measure
Cinta métrica



Pencil
Lápiz

⚠ REQUIREMENTS FOR SUCCESSFUL INSTALLATION REQUISITOS PARA UNA INSTALACIÓN CORRECTA

KNOWLEDGE BASE: Framing, Plumbing

These instructions include suggestions for rough construction and plumbing installation. Local building codes vary and could supersede those suggestions. If you are not confident in your ability to perform these tasks, contract out those tasks you need help with or use a professional installer.

DO NOT use drywall screws to secure flanges to wall studs. Product damage will occur and will void the warranty.

- Read complete instructions before beginning installation.
- Confirm that your model will fit in intended location and plumbing fixtures are located where required before beginning installation.
- Walls and sub-floor must be solid, plumb, and square.
- Use drop cloth to protect shower base from damage during installation.
- Do not install in areas where temperature may drop below 32°F (0°C).
- Allow product to reach room temperature for 30 minutes before installation.

BASE DE CONOCIMIENTOS: Encuadrado, Plomería

Estas instrucciones incluyen sugerencias para construcciones sin acabar e instalación de cañerías. Los códigos locales de construcción varían según el lugar y tienen prioridad sobre estas sugerencias. Si no se siente capaz de realizar estas tareas, tercercelas o contrate un instalador profesional.

NO use tornillos para paneles de yeso para fijar las bridas a los montantes de la pared. Dañará el producto anulando la garantía.

- Lea las instrucciones completas antes de comenzar la instalación.
- Verifique que su modelo quepa en la ubicación deseada y que los accesorios de fontanería se encuentren donde sea necesario antes de iniciar la instalación.
- Las paredes y el contrapiso deben estar firmes, nivelados y en escuadra.
- Utilice una lona protectora para proteger la base de la ducha durante la instalación.
- No realice la instalación en áreas donde la temperatura pueda ser inferior a 32°F (0 °C).
- Deje que el producto alcance la temperatura ambiente durante 30 minutos antes de la instalación.

ROUGHING-IN

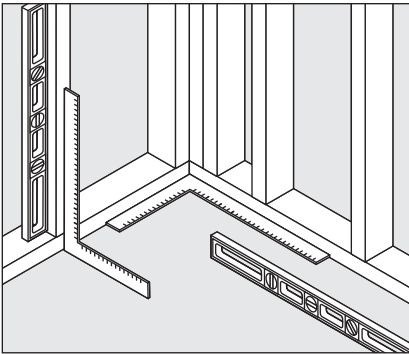
- Rough plumbing must be installed before base installation.
- Minimum stud pocket sizes are shown below.
- Drain cutout 5" diameter max. Right side plumbing rough-in shown.
- For masonry construction, floor and walls must be framed to accommodate plumbing and installation.

IMPORTANT: IF INSTALLING MATCHING ENCLOSURE, refer to Enclosure Installation Manual for specific lumber sizes and placement. Additional studs will be required and need to be installed at this point.

TUBERÍA INTERNA

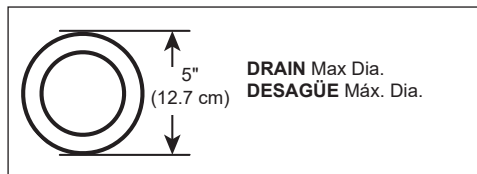
- La tubería interna debe ser instalada antes de instalar base.
- Los tamaños de las hendiduras de apoyo para los montantes se muestran a continuación.
- Corte para desagüe 5" (12,7 cm) de diámetro máximo. Conexión de las cañerías del lado derecho.
- Para los trabajos de mampostería, el piso y las paredes deben acanalarse para dar lugar a las cañerías y la instalación.

IMPORTANTE: SI INSTALA EL JUEGO DE PARED, consulte las instrucciones de instalación para el juego de pared y obtendrá los tamaños específicos y la ubicación de las maderas. Se necesitarán montantes adicionales y se deberán instalar en este punto.

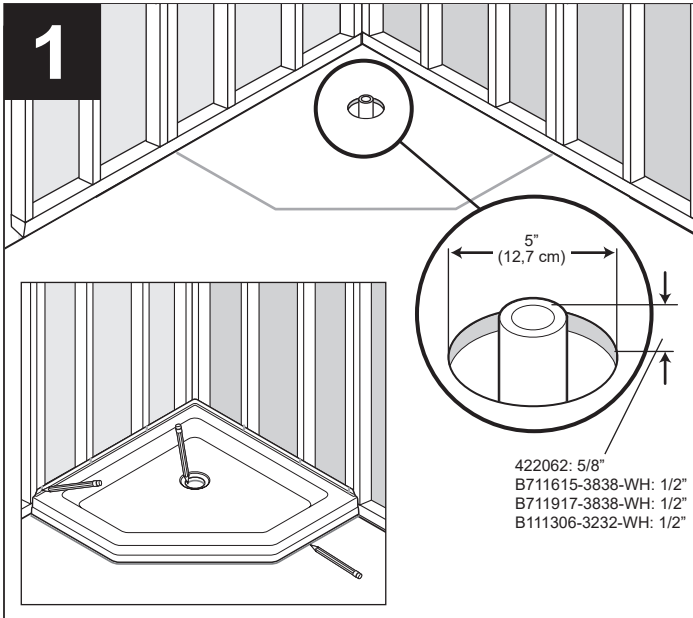


Framing must be plumb and square.

El entramado debe estar nivelado y en escuadra.



MODEL	A	B	C
422062	13" (33 cm)	13" (33 cm)	38 1/4" min. (97.16 cm)
B711615-3838-WH	9" (22.9 cm)	9" (22.9 cm)	38 1/4" min. (97.16 cm)
B711912-3838-WH	9" (22.9 cm)	9" (22.9 cm)	38 1/4" min. (97.16 cm)
B111306-3232-WH	15 1/2" (39.4 cm)	15 1/2" (39.4 cm)	32 1/4" min. (81.91 cm)



Ensure that the waste pipe is properly located to align with the drain assembly (not included).

Subfloor maximum diameter opening should be 5". The drain pipe above the subfloor should be; 422062: 5/8", B711615-3838-WH: 1/2", B711917-3838-WH: 1/2" & B111306-3232-WH.

Mark unit position on floor and through drain opening.

Mark the locations of the studs on the flange of the base.

These marks are used to verify base location after drain is installed, and outline where adhesive is applied.

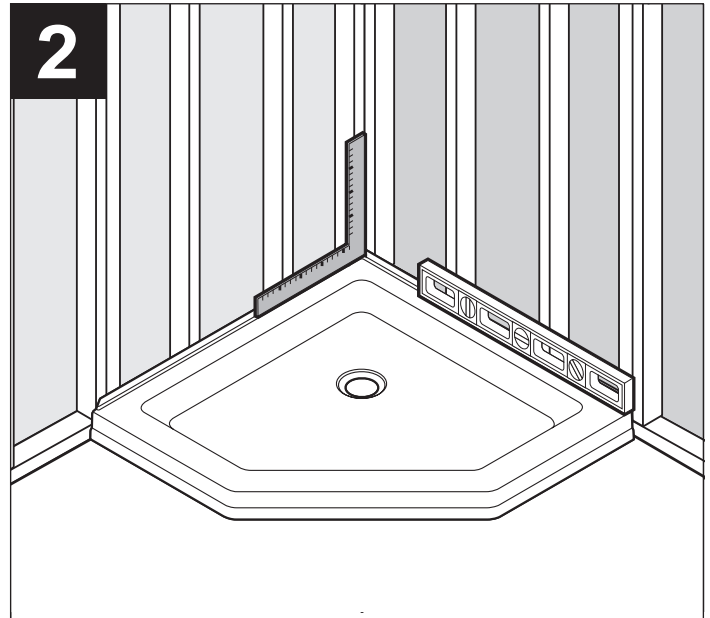
Asegúrese de que la tubería de desagüe está adecuadamente ubicada para alinearla con las piezas del desagüe (no se incluyen).

El diámetro máximo de la abertura en el subsuelo debe ser de 5". La tubería de desagüe sobre el subsuelo debe ser 422062: 5/8", B711615-3838-WH: 1/2", B711917-3838-WH: 1/2" y B111306-3232-WH.

Marque la posición de la unidad en el piso y a través de la abertura del desagüe.

Marque las ubicaciones de los montantes en la brida de la base.

Estas marcas se usan para verificar la ubicación de la base después que se ha instalado el desagüe y trace una línea que marque donde se ha aplicado el adhesivo.

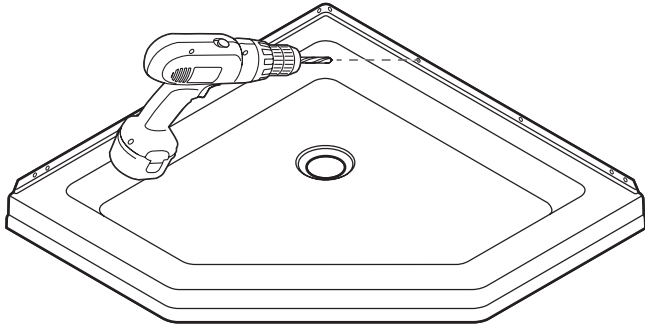


Dry fit base and verify that it is plumb and square.

If the subfloor is not flat and level, use leveling compound or mortar bed to ensure that the base is level (shown in Step 5).

Coloque la base en la esquina. Revise la nivelación de derecha a izquierda y de delante a atrás.

Si el subsuelo no es plano o nivelado, use un compuesto nivelador o capa de mortero para asegurar que la base quede nivelada (se muestra en el paso 5).

3

Drill 3/16" holes at all stud locations on top flanges. Do not drill into studs.

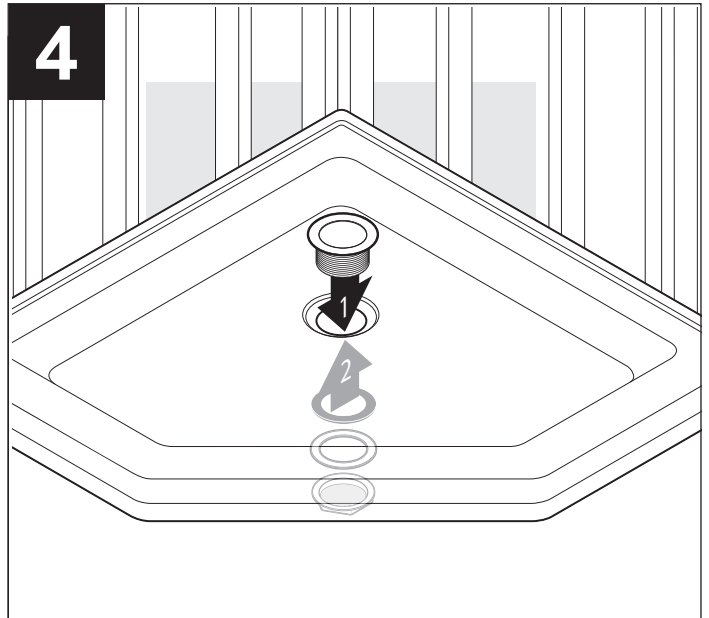
NOTICE

Drill 3/16" clearance holes into flanges only. Do not drill 3/16" holes directly into studs. Drill chuck can damage base. Use an extended bit holder to reduce risk of drill chuck hitting base.

Perfore agujeros de 3/16" en las bridas superiores en todos los sitios donde se ubican los montantes. No perfore los montantes.

AVISO

Perfore agujeros de 3/16" solo en las bridas, no perfore agujeros de 3/16" directamente en los montantes. El portabrocas puede dañar la base. Utilice una abrazadera extendida para reducir el riesgo de golpear la base de la broca.

4

Install drain following manufacturer's instructions.

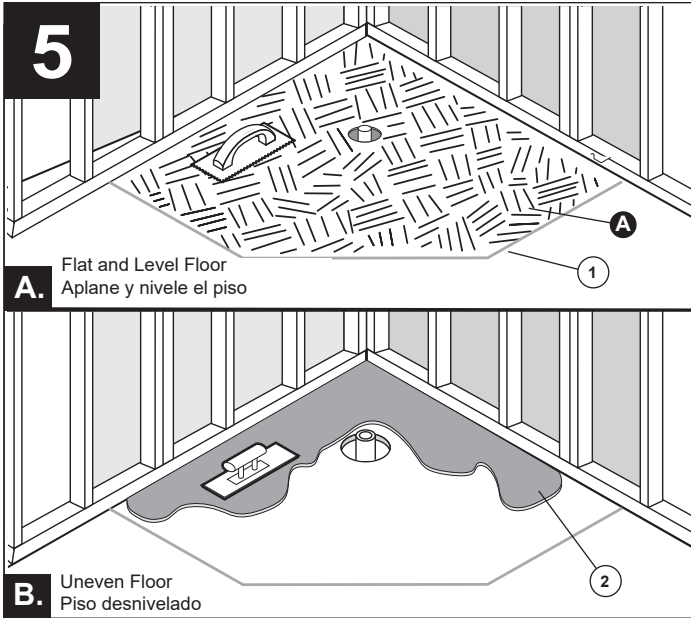
NOTICE

Do not use plumber's putty to seal between drain and base. Plumber's putty will degrade shower base material and result in product failure. Use advanced polymer or silicone sealant, or gasket if provided with drain.

Instale el desagüe de acuerdo con las instrucciones del fabricante.

AVISO

No utilice masilla de plomería para sellar entre el drenaje y la base. La masilla de plomería degradará el material de la base de la ducha y provocará falla del producto. Utilice un sellador avanzado de polímero o silicona, o una junta si se proporciona con drenaje.



A. If subfloor is flat and level, and mortar was not used, apply adhesive **A** on floor using 1/4" square-notched trowel, staying within pencil line (1). Proceed to the next step.

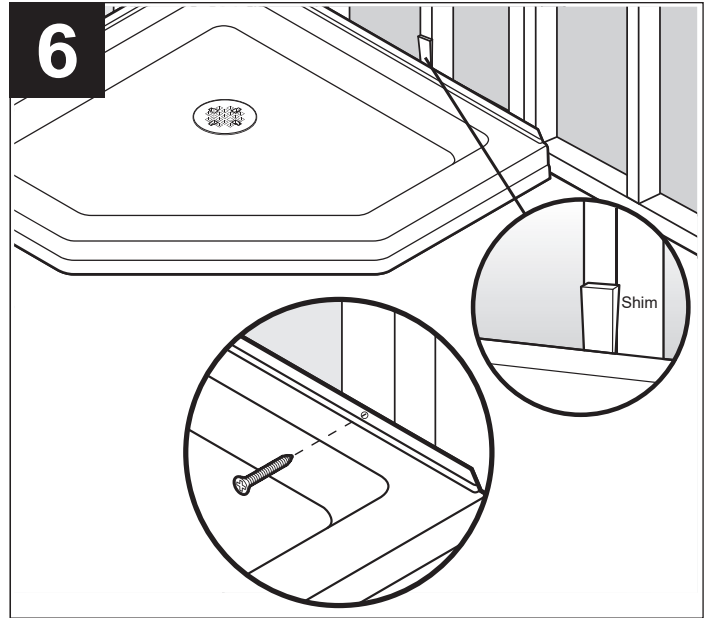
B. If subfloor is not flat and level, it is recommended to put down a mortar bed where the base will be positioned.

Apply a generous amount of mortar (2) that has been mixed to a thick consistency. Use the mortar to fill in low areas. Place the base in the wet mortar, adjust until it is level, and let mortar cure for 24 hours. Proceed to the next step.

A. Si el contrapiso está plano y nivelado y no se utilizó mortero, aplique el adhesivo **A** en el suelo utilizando un balaustre de 1/4" cuadrado dentado, permaneciendo dentro de la línea trazada con el lápiz (1). Continúe con el próximo paso.

B. Si el subsuelo no está plano y nivelado, se recomienda que coloque un lecho de mortero en donde colocará la base.

Aplique una cantidad generosa de mortero (2) que ha sido mezclada hasta obtener una consistencia espesa. Utilice el mortero para rellenar las zonas bajas. Coloque la base en el mortero húmedo, ajuste hasta que esté nivelado y deje que el mortero se cure durante 24 horas. Continúe con el próximo paso.



It is recommended not to stand in base while securing to wall. Set base in corner and press it into adhesive.

Secure flanges to all studs with 1 1/2" screws through previously drilled holes.

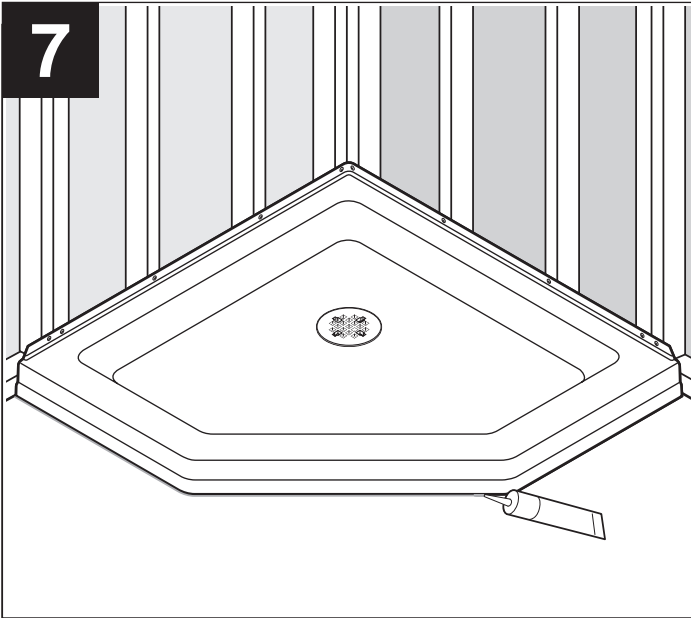
NOTE: Gaps between flanges and studs must be less than 1/8". Insert shims to fill gaps if needed.

Se recomienda no pararse en la base mientras que usted fije la pared. Coloque la base en la esquina y presiónela en el adhesivo.

Fije las bridas en todos los montantes con tornillos de 1 1/2" a través de los agujeros ya perforados.

NOTA: Los espacios entre las bridas y los montantes deben ser menores de 1/8". Si es necesario, inserte calzos para rellenar los espacios.

7



Apply a bead of sealant between the apron and finished floor.

Aplique una perla de sellador entre el delantal y el piso acabado.

CARE AND CLEANING

We recommend that you clean your bathing product with mild detergents. Use a terry cloth towel, soft cloth or sponge. Avoid using abrasive scrubbing pads, steel wool or sponges. After cleaning, rinse thoroughly with water.

NOTICE

When using drain cleaner or clog remover, rinse thoroughly with water.

NOTICE

Certain chemicals and cleaners may deteriorate the product surface, causing cracks and potentially, property damage. Never use cleaning products that state on their label that they are not suitable for ABS, Polystyrene or Plastic. Do not use solvents (turpentine, lacqurt thinner, mineral spirits, paint thinner, MEK, xylene, acetone, naphtha, etc.).

For further inquires and a list of safe cleaners to use, contact customer service at consumercare@deltafaucet.com or 1-800-355-2721.

SEALANT CLEANUP

NOTICE

Certain chemical and cleaners may deteriorate product surfaces, causing cracks and potentially, property damage. After application/installation, clean up the product surface and remove any excess sealant with denatured alcohol only. do not use solvents (turpentine, lacqurt thinner, mineral spirits, paint thinner, MEK, xylene, acetone, naphtha, etc.).

CUIDADO Y LIMPIEZA

Recomendamos que limpie su producto baño con detergentes suaves. Utilice una toalla de felpa, un paño suave o una esponja. Evite el uso de almohadillas abrasivas de limpieza, lana de acero o esponjas. Después de la limpieza, enjuague bien con agua.

AVISO

Cuando utilice el limpiador de desagües o el removedor de obstrucciones, enjuague bien con agua.

AVISO

Ciertos productos químicos y limpiadores pueden deteriorar la superficie acrílica, causando grietas y potencialmente, daños a la propiedad. Nunca utilice productos de limpieza que indiquen en su etiqueta que no son adecuados para el ABS, poliestireno o plástico. No utilice disolventes (trementina, limpiadores de lacas, alcoholes minerales, diluyentes de pintura, MEK, xileno, acetonas, nafta, etc.)

Para más información y una lista de limpiadores recomendables para usar, comuníquese con el servicio de atención al cliente al consumercare@deltafaucet.com o al 1-800-355-2721.

LIMPIEZA DEL SELLADOR

AVISO

Ciertos agentes químicos y productos de limpieza pueden deteriorar las superficies acrílicas, causando grietas y potencialmente daños materiales. Después de la aplicación / instalación, limpie la superficie del producto y elimine el exceso de sellador sólo con alcohol desnaturalizado. no utilice disolventes (aguarrás, diluyente lacqurt, alcoholes minerales, diluyente de pintura, MEK, xileno, acetona, nafta, etc.).

Limited Warranty on Bathing Products

This bathing product is warranted to the original consumer purchaser or commercial user, as applicable, to be free from defects in material and workmanship for the applicable period specified below:

Delta® Tubs, Shower Bases, and Walls: Ten (10) years from the date that the product is received by the original consumer purchaser or their authorized representative (installation contractor, etc.) or, for commercial users, one (1) year from the date that the product is received by the original commercial purchaser or their authorized representative (installation contractor, etc.).

Delta® Glass and Frameless Shower Enclosures and Shower Doors: Five (5) years from the date that the product is received by the original consumer purchaser or their authorized representative (installation contractor, etc.) or, for commercial users, one (1) year from the date that the product is received by the original commercial purchaser or their authorized representative (installation contractor, etc.).

Peerless® Tubs, Shower Bases, Shower Enclosures, and Walls: Three (3) years from the date that the product is received by the original consumer purchaser or their authorized representative (installation contractor, etc.) or, for commercial users, one (1) year from the date that the product is received by the original commercial purchaser or their authorized representative (installation contractor, etc.).

All Other Tubs, Shower Bases, Shower Enclosures, and Walls: One (1) year from the date that the product is received by the original purchaser or their authorized representative (installation contractor, etc.).

What We Will Do: Delta Faucet Company will repair or replace, free of charge, during the applicable warranty period (as described above), any part that proves defective in material and/or workmanship under normal installation, use and service. If repair or replacement is not practical, Delta Faucet Company may elect to refund the purchase price (the return of the product may be required at Delta Faucet Company's option). **These are your exclusive remedies.**

What Is Not Covered: Any labor charges incurred by the purchaser to repair, replace, install or remove this product are not covered by this warranty. Delta Faucet Company shall not be liable for any damage to the product resulting from reasonable wear and tear, outdoor use, misuse (including use of the product for an unintended application), abuse, neglect or improper or incorrectly performed installation, maintenance or repair, including failure to follow the applicable care and cleaning instructions. Delta Faucet Company recommends using a professional plumber for all installation and repair. We also recommend that you use only genuine Delta®/Peerless® replacement parts.

What You Must Do To Obtain Warranty Service or Replacement Parts: A warranty claim may be made and replacement parts may be obtained by calling 1-800-355-2721 or by contacting us by mail or online as follows (please include your model number, date of purchase and documentation of the date of receipt of the product by the original purchaser or their authorized representative (installation contractor, etc.)):

In the United States and Mexico:

Delta Faucet Company
55 E. 111th Street
Carmel, IN 46280
Attention: Warranty Service
<https://www.deltafaucet.com/service-parts/contact-us>

In Canada:

Masco Canada Limited, Plumbing Group
Technical Service Centre
350 South Edgeware Road
St. Thomas, Ontario, Canada N5P 4L1
<https://www.deltafaucet.com/service-parts/contact-us>

Proof of purchase (original sales receipt showing purchase date) and documentation of the date of receipt of the product by the original purchaser or their authorized representative (installation contractor, etc.) must be made available to Delta Faucet Company for all warranty claims unless the purchaser has registered the product with Delta Faucet Company. This warranty applies only to bathing products that are installed in the United States of America, Canada and Mexico.

DO NOT USE CERTAIN CLEANING PRODUCTS: Cleaning products containing the following chemicals can cause this bathing product to crack or discolor and use of cleaning products containing these chemicals will void this warranty:

- Naphtha
- Amyl Acetate
- Hydrogen Peroxide Solution (common hydrogen peroxide)
- Toluene
- Ethyl Acetate
- Lye (common in drain cleaners)
- Acetone

Limitation on Duration of Implied Warranties: Please note that some states/provinces (including Quebec) do not allow limitations on how long an implied warranty lasts, so the below limitations may not apply to you. TO THE MAXIMUM EXTENT PERMITTED BY APPLICABLE LAW, ANY IMPLIED WARRANTY, INCLUDING THE IMPLIED WARRANTIES OF MERCHANTABILITY AND OF FITNESS FOR A PARTICULAR PURPOSE, IS LIMITED TO THE STATUTORY PERIOD OR THE DURATION OF THIS WARRANTY, WHICHEVER IS SHORTER.

Limitation of Special, Incidental or Consequential Damages: Please note that some states/provinces (including Quebec) do not allow the exclusion or limitation of special, incidental or consequential damages, so the below limitations and exclusions may not apply to you. TO THE MAXIMUM EXTENT PERMITTED BY APPLICABLE LAW, THIS WARRANTY DOES NOT COVER, AND DELTA FAUCET COMPANY SHALL NOT BE LIABLE FOR ANY SPECIAL, INCIDENTAL OR CONSEQUENTIAL DAMAGES (INCLUDING LABOR CHARGES TO REPAIR, REPLACE, INSTALL OR REMOVE THIS PRODUCT), WHETHER ARISING OUT OF BREACH OF ANY EXPRESS OR IMPLIED WARRANTY, BREACH OF CONTRACT, TORT, OR OTHERWISE. DELTA FAUCET COMPANY SHALL NOT BE LIABLE FOR ANY DAMAGE TO THE PRODUCT RESULTING FROM REASONABLE WEAR AND TEAR, OUTDOOR USE, MISUSE (INCLUDING USE OF THE PRODUCT FOR AN UNINTENDED APPLICATION), ABUSE, NEGLIGENCE OR IMPROPER OR INCORRECTLY PERFORMED INSTALLATION, MAINTENANCE OR REPAIR, INCLUDING FAILURE TO FOLLOW THE APPLICABLE INSTALLATION, CARE AND CLEANING INSTRUCTIONS. Notice to residents of the State of New Jersey: The provisions of this document, including its limitations, are intended to apply to the fullest extent permitted by the laws of the State of New Jersey.

Additional Rights: This warranty gives you specific legal rights, and you may also have other rights which vary from state/province to state/province. This is Delta Faucet Company's exclusive written warranty and the warranty is not transferable.

If you have any questions or concerns regarding technical support, installation or our warranty, please contact us as provided above or visit our website at www.deltabathing.com/bathroom/bathing.

© 2023 Masco Corporation of Indiana

Garantía Limitada en Productos de Baño

Se garantiza al comprador consumidor original o al usuario comercial, según corresponda, que este producto de baño está libre de defectos de material y mano de obra durante el período correspondiente que se especifica a continuación:

Bañeras, bases para regaderas y paredes Delta®: Diez (10) años a partir de la fecha en que el comprador consumidor original o su representante autorizado (contratista de instalación, etc.) recibió el producto o, para usuarios comerciales, un (1) año a partir de la fecha en que el comprador comercial original o su representante autorizado (contratista de instalación, etc.) recibió el producto.

Recinto para las regaderas y puertas de regadera sin marco y de vidrio Delta®: Cinco (5) años a partir de la fecha en que el comprador consumidor original recibió el producto o su representante autorizado (contratista de instalación, etc.) o, para usuarios comerciales, un (1) año a partir de la fecha en que el comprador comercial original o su representante autorizado (contratista de instalación, etc.) recibió el producto.

Bañeras, bases de regadera, recintos y paredes de regaderas Peerless®: Tres (3) años a partir de la fecha en que el comprador consumidor original recibió el producto o su representante autorizado (contratista de instalación, etc.) o, para usuarios comerciales, un (1) año a partir de la fecha en que el comprador comercial original o su representante autorizado (contratista de instalación, etc.) recibió el producto.

Todas las demás baños, bases de regadera, recintos de regadera y paredes: Un (1) año a partir de la fecha en que el comprador original o su representante autorizado (contratista de instalación, etc.) recibió el producto.

Lo que haremos: Delta Faucet Company reparará o reemplazará, sin cargo, durante el período de garantía aplicable (como se describe anteriormente), cualquier pieza que resulte defectuosa en material y/o mano de obra bajo instalación, uso y servicio normales. Si la reparación o el reemplazo no es práctico, Delta Faucet Company puede optar por reembolsar el precio de compra (es posible que se requiera la devolución del producto, a opción de Delta Faucet Company). **Estos son tus remedios exclusivos.**

Lo que no está cubierto:

Cualquier cargo de mano de obra incurrido por el comprador para reparar, reemplazar, instalar o quitar este producto no está cubierto por esta garantía. Delta Faucet Company no será responsable de ningún daño al producto resultante del desgaste razonable, uso en exteriores, mal uso (incluido el uso del producto para una aplicación no deseada), abuso, negligencia o instalación, mantenimiento o reparación inadecuados o realizados incorrectamente, incluido el incumplimiento de las instrucciones de cuidado y limpieza correspondientes. Delta Faucet Company recomienda utilizar un plomero profesional para todas las instalaciones y reparaciones. También recomendamos que utilice únicamente piezas de repuesto originales Delta®/Peerless®.

Qué debe hacer para obtener servicio de garantía o piezas de repuesto: Se puede realizar un reclamo de garantía y obtener piezas de repuesto llamando al 1 800 355 2721 o comunicándose con nosotros por correo o en línea de la siguiente manera (por favor incluya su número de modelo, fecha de compra y documentación con la fecha cuando el comprador original o su representante autorizado (contratista de instalación, etc.) recibió el producto.

En los Estados Unidos y México:

Delta Faucet Company
55 E. 111th Street
Carmel, IN 46280
Attention: Warranty Service
<https://www.deltafaucet.com/service-parts/contact-us>

En Canadá:

Masco Canada Limited, Plumbing Group
Technical Service Centre
350 South Edgeware Road
St. Thomas, Ontario, Canada N5P 4L1
<https://www.deltafaucet.com/service-parts/contact-us>

El comprobante de compra (recibo de compra original que muestre la fecha de compra) y la documentación con la fecha cuando el comprador original o su representante autorizado (contratista de instalación, etc.) recibió el producto deben estar disponibles para Delta Faucet Company para todos los reclamos de garantía, a menos que el comprador haya registrado el producto con Delta Faucet Company. Esta garantía aplica únicamente a productos de baño que estén instalados en los Estados Unidos de América, Canadá y México.

NO UTILICE CIERTOS PRODUCTOS DE LIMPIEZA: Los productos de limpieza que contienen los siguientes químicos pueden hacer que este producto de baño se agriete o decolore y el uso de productos de limpieza que contengan estos químicos anulará esta garantía:

- Nafta
- Acetato de amilo
- Solución de peróxido de hidrógeno (peróxido de hidrógeno común)
- Tolueno
- Acetato de etilo
- Lejía (común en limpiadores de desagües)
- Acetona

Limitación de la duración de las garantías implícitas: Tenga en cuenta que algunos estados/provincias (incluido Quebec) no permiten limitaciones sobre la duración de una garantía implícita, por lo que es posible que las siguientes limitaciones no se apliquen a usted. EN LA MEDIDA MÁXIMA PERMITIDA POR LA LEY APLICABLE, CUALQUIER GARANTÍA IMPLÍCITA, INCLUYENDO LAS GARANTÍAS IMPLÍCITAS DE COMERCIABILIDAD Y DE IDONEIDAD PARA UN PROPÓSITO PARTICULAR, SE LIMITA AL PERÍODO LEGAL O A LA DURACIÓN DE ESTA GARANTÍA, EL QUE SEA MÁS CORTO.

Limitación de daños especiales, incidentales o consecuentes: Tenga en cuenta que algunos estados/provincias (incluido Quebec) no permiten la exclusión o limitación de daños especiales, incidentales o consecuentes, por lo que es posible que las siguientes limitaciones y exclusiones no se apliquen a usted. EN LA MEDIDA MÁXIMA PERMITIDA POR LA LEY APLICABLE, ESTA GARANTÍA NO CUBRE, Y DELTA FAUCET COMPANY NO SERÁ RESPONSABLE DE NINGÚN DAÑO ESPECIAL, INCIDENTAL O CONSECUENTE (INCLUYENDO CARGOS DE MANO DE OBRA PARA REPARAR, REEMPLAZAR, INSTALAR O QUITAR ESTE PRODUCTO), YA SEA QUE SURJAN DE INCUMPLIMIENTO DE CUALQUIER GARANTÍA EXPRESA O IMPLÍCITA, INCUMPLIMIENTO DE CONTRATO, AGRAVIO O DE OTRA MANERA. DELTA FAUCET COMPANY NO SERÁ RESPONSABLE DE NINGÚN DAÑO AL PRODUCTO QUE RESULTE DEL DESGASTE RAZONABLE, USO EN EXTERIORES, MAL USO (INCLUYENDO EL USO DEL PRODUCTO PARA UNA APLICACIÓN NO DESEADA), ABUSO, NEGLIGENCIA O INSTALACIÓN, MANTENIMIENTO O REPARACIÓN INCORRECTAMENTE REALIZADOS. INCLUYENDO EL INCUMPLIMIENTO DE LAS INSTRUCCIONES CORRESPONDIENTES DE INSTALACIÓN, CUIDADO Y LIMPIEZA. Aviso a los residentes del Estado de Nueva Jersey: Las disposiciones de este documento, incluidas sus limitaciones, están destinadas a aplicarse en la máxima medida permitida por las leyes del Estado de Nueva Jersey.

Derechos adicionales: Esta garantía le otorga derechos legales específicos y es posible que también tenga otros derechos que varían de un estado/provincia a otro. Esta es la garantía escrita exclusiva de Delta Faucet Company y la garantía no es transferible.

Si tiene alguna pregunta o inquietud sobre el soporte técnico, la instalación o nuestra garantía, comuníquese con nosotros como se indicó anteriormente o visite nuestro sitio web en www.deltabathing.com/bathroom/bathing.

© 2023 Masco Corporation de Indiana